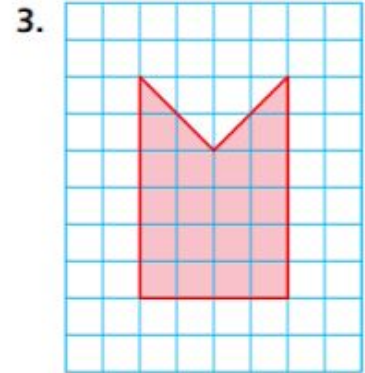
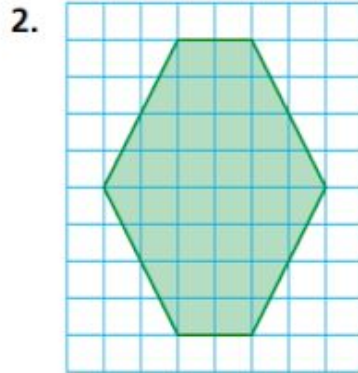
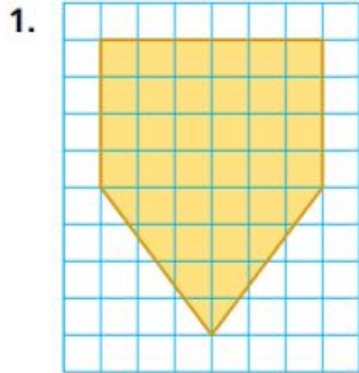
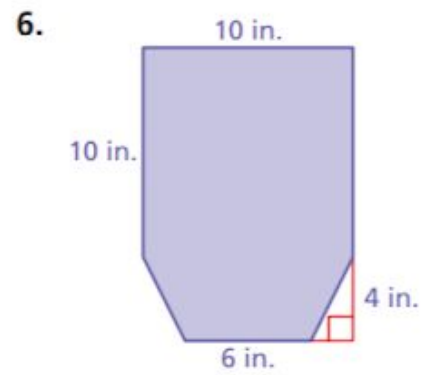
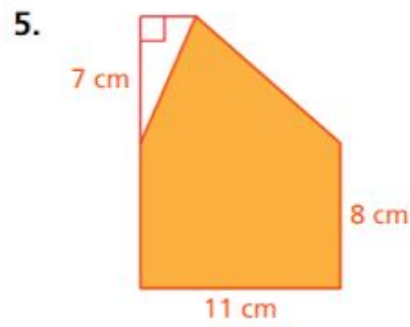
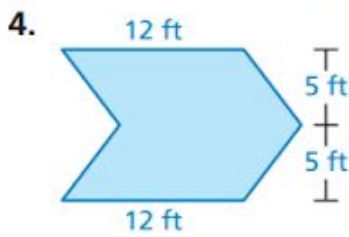


4.3 Extension Worksheet

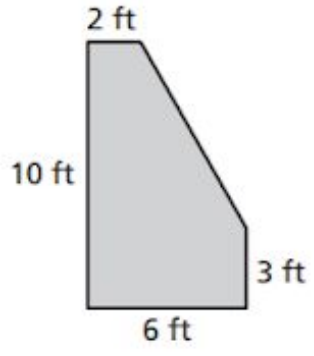
Find the area of the shaded figure.



Find the area of the figure.



5.



6.

